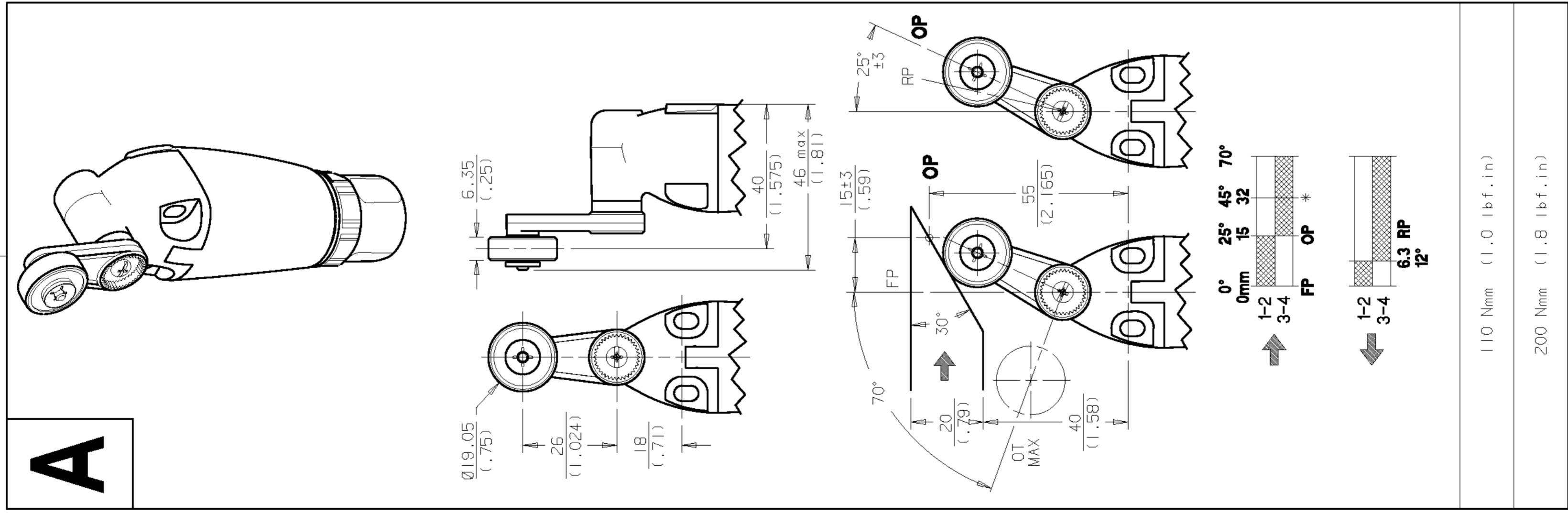


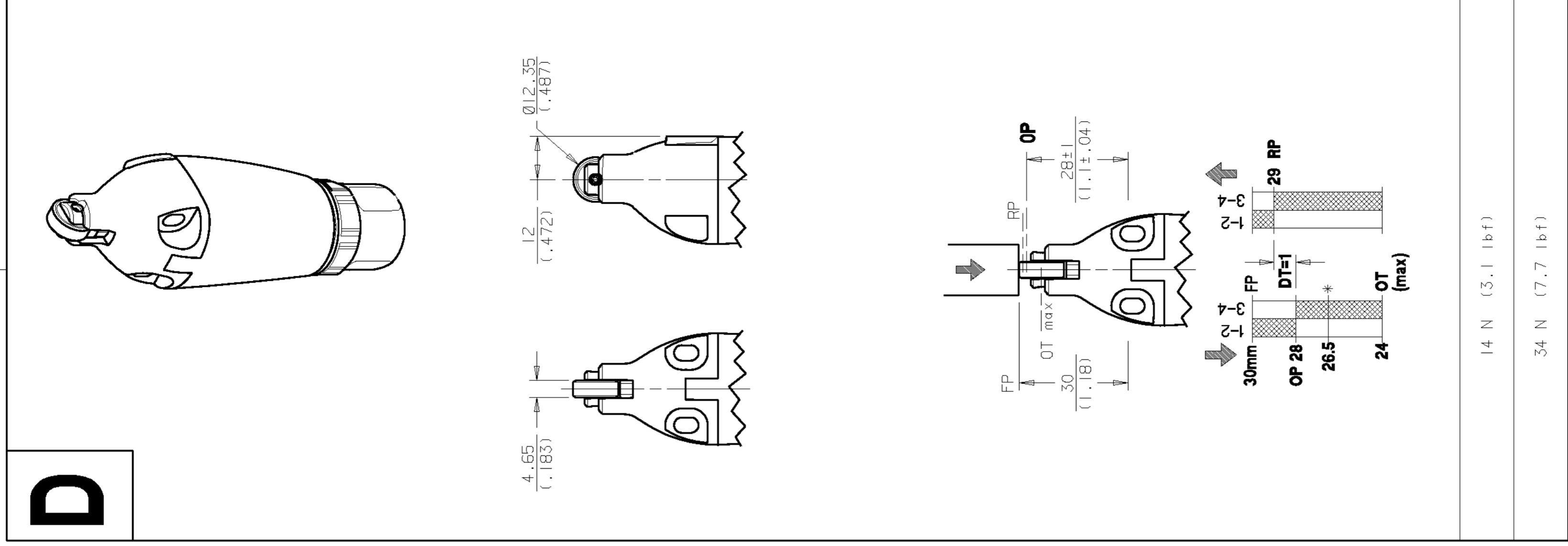
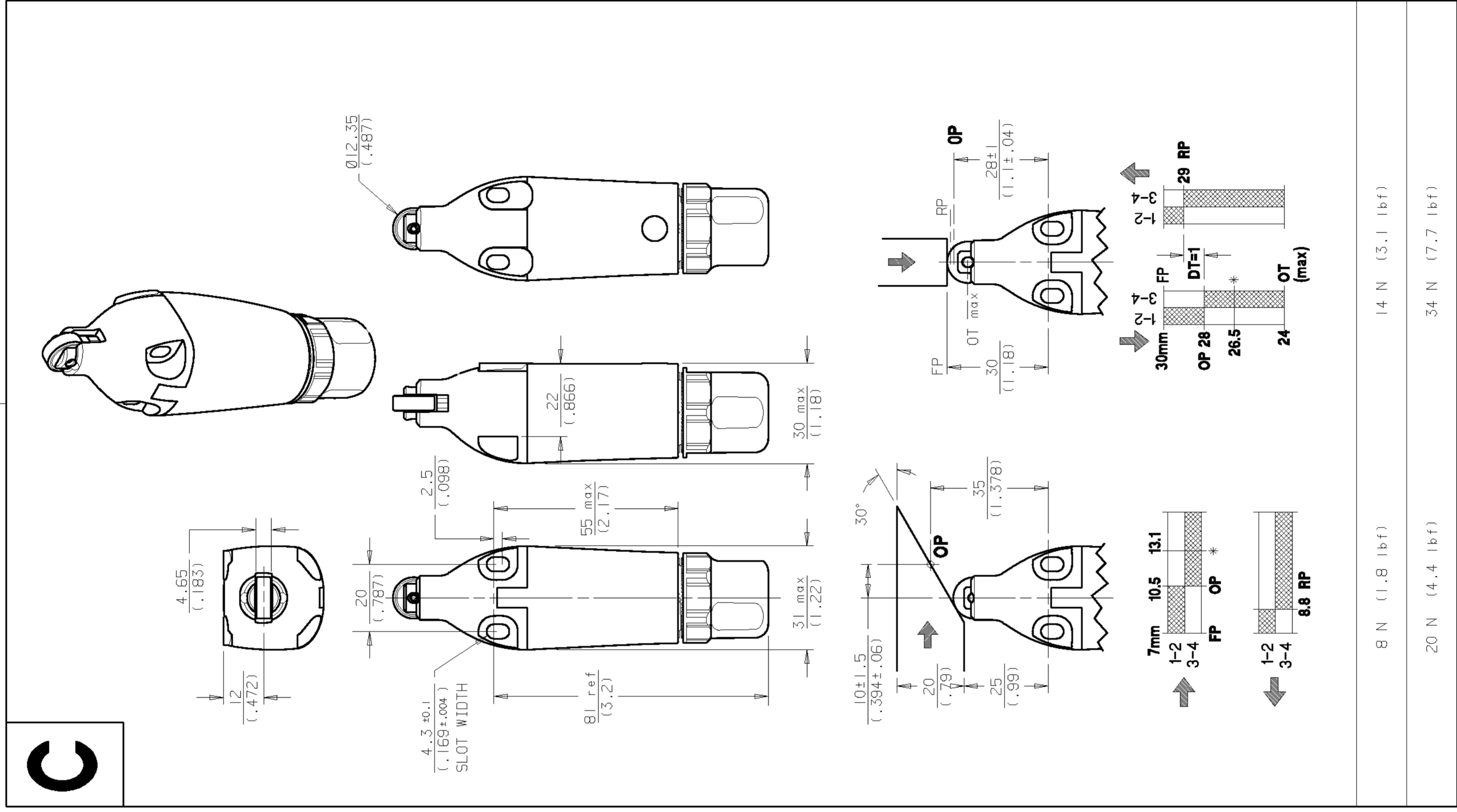
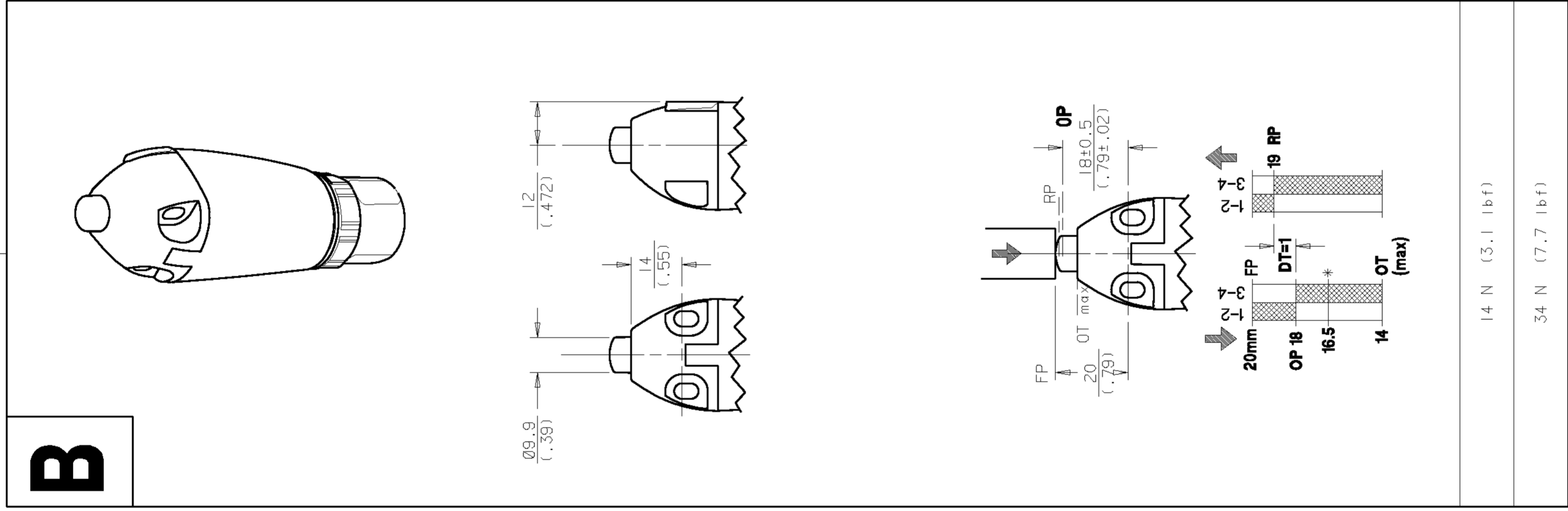
159E	MTG-EV-314
DRAWING NUMBER	DR#E18
RELEASE NUMBER	
REPLACES	

REVISIONS	

MODIFY ON CAD3D SYSTEM ONLY



* POSITIVE OPENING IEC 947-5- ANNEX K
NOMINAL TRAVELS AND RELATED TERMINALS CONTACT CLOSED
CONTACT OPEN
NORMAL OPERATING FORCE/TORQUE MAX
MAXIMUM DISCONNECT FORCE/TORQUE



DRAWN J. BOYD 5/01	CHECK DESIGN	AUTHOR N	ELECTRICAL RATING		ENDURANCE	ENVIRONMENTAL	MARKING/APPROVALS	
			SILVER CONTACTS	GOLD PLATED CONTACTS				
			AC	DC	MECHANICAL:	IP66/67 (EN60529)	CE EN50047 IEC 947-5-1 EN60647p15-1 EN61-1	
			A300 U _e 1e	0300 DC I3 U _e 1e	10 MILLION OPERATIONS	NEMA 1, 12, 13 TEMP RANGE: -25° C TO 85° C -13° F TO 185° F STORAGE: -40° F TO 185° F		
			VOLTS 240	AMPS 5	ELECTRICAL:	SHOCK: 500 (IEC 68-2-27) VIBRATION: 10g (IEC 68-2-6) BUMP: 40g (IEC 68-2-29)		
			I _{th} = 10A	U _i = 320V	100,000 OPERATIONS			
			SCPD: 10A OUTG. ACTING FUSE (IEC269, 1.0g-TYPE)					
			THE COMPANY OF THIS DRAWING IS THE PROPERTY OF HONEYWELL LTD. THE DRAWING IS SUPPLIED IN CONFIDENCE AND IS NOT TO BE REPRODUCED OR COPIED IN ANY MANNER WITHOUT THE WRITTEN PERMISSION OF HONEYWELL LTD.					
			SCALE 1:1		DIMENSIONS ARE IN MM / (INCHES).			

NOTES :-
 1. BLACK GLASS FILLED POLYESTER HOUSING & COVER.
 2. ENCLOSURE DOUBLE INSULATED TO IEC 539 CLASS II.
 3. MINIMUM OPERATING VELOCITY (Vmin) = 1.0 MM/S
 MAXIMUM OPERATING VELOCITY (Vmax) = 2.0 M/S
 MAXIMUM OPERATING FREQUENCY (Fmax) = 100 OPS/MIN
 4. FREE POSITION (FP), OPERATING POINT (OP), OVERTRAVEL (OT) AND PRETRAVEL (PT) AS TO EN50047.
 Δ MAXIMUM TIGHTENING TORQUE FOR FIXING SCREW = 0.5Nm (4.4in.LB)

